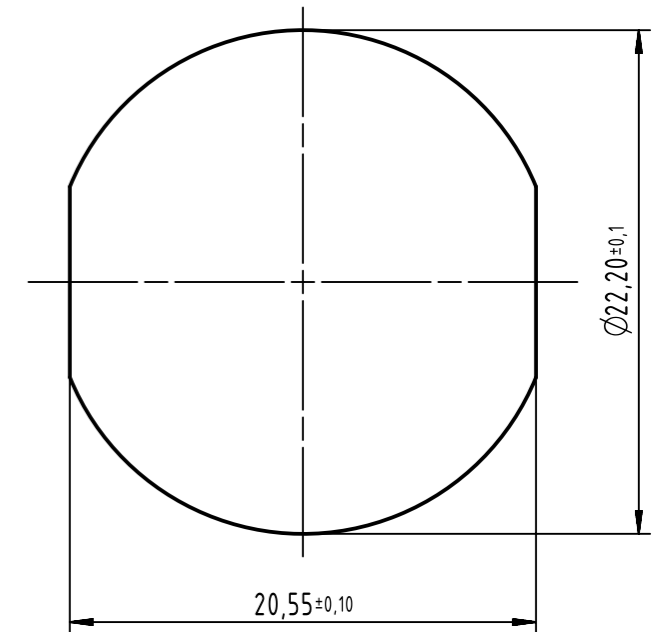


Recommended Panel Cut Out



	All Dimensions in mm Original Size DIN A3		Scale 2:1	Free size tol.		Ref.	
	All rights reserved Department EL PD		Created by ZENGO	Inspected by LUOK	Standardisation 302077	Date 2021-04-09	State Final Release
HARTING D-32339 Espelkamp		Title M12 transf. recpt. front mounting kit				Doc-Key / ECM-Nr. 100686447/UGD/000/D 500000193001	
		Type TB	Number 21033012006			Rev. D	Page 1/1